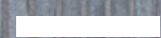


MATERA

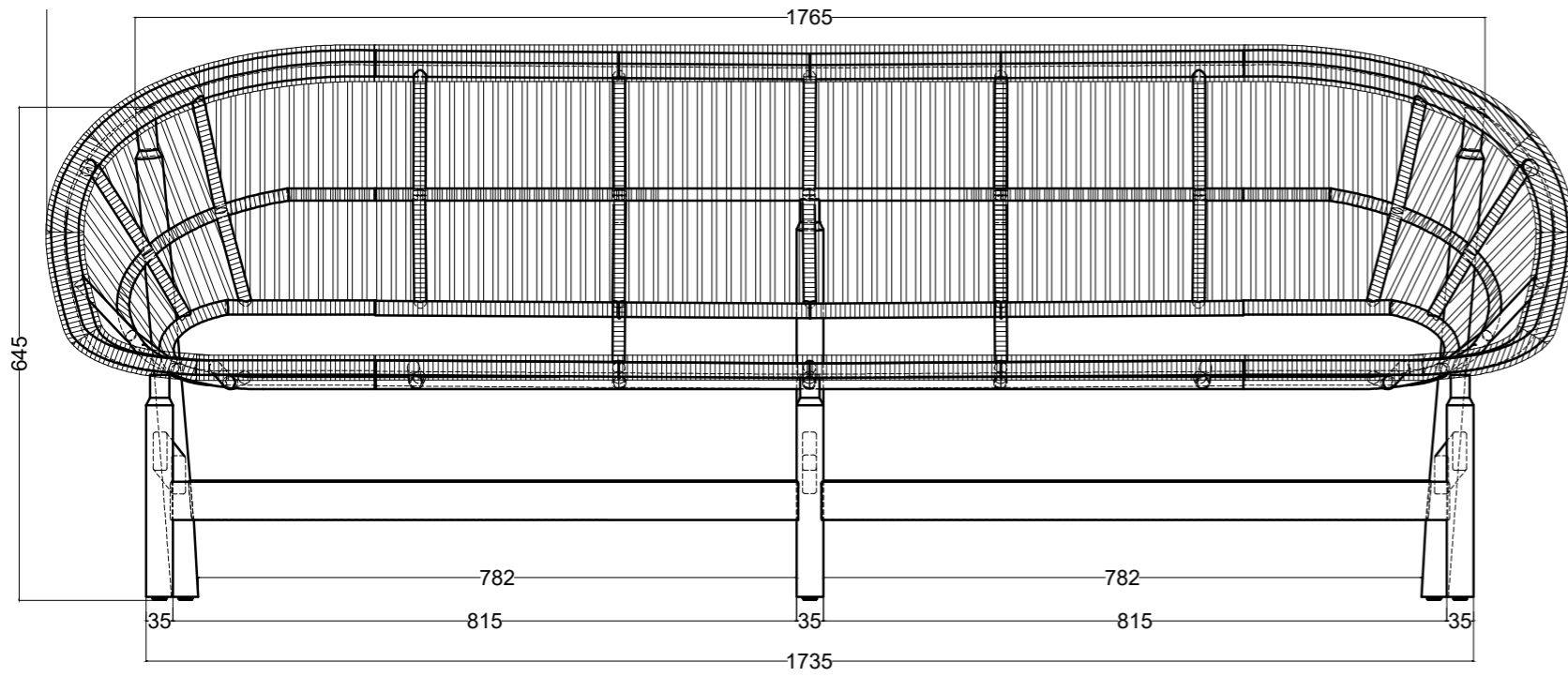


MATERA SOFA

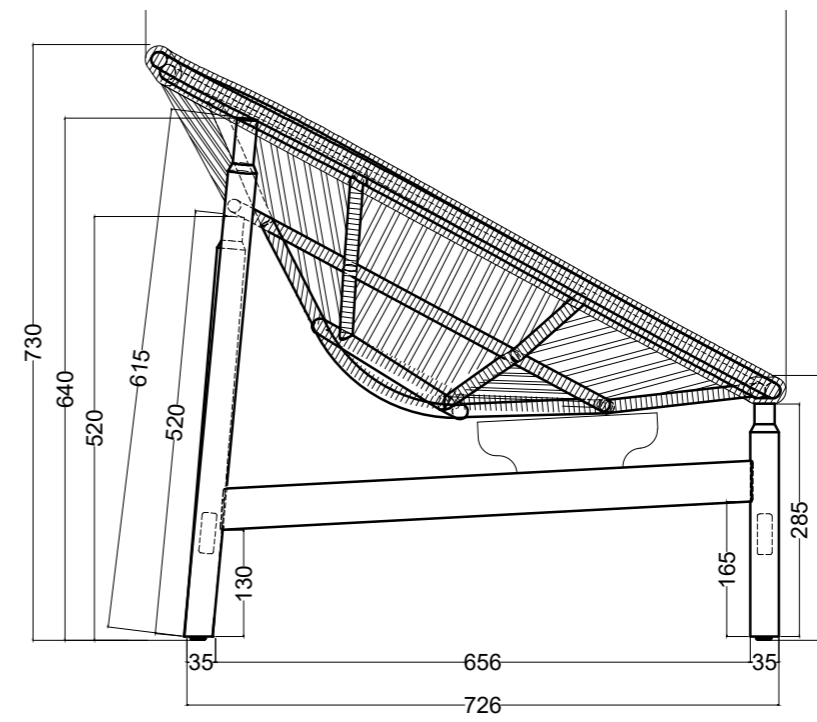


The Matera Range combines sleek design with exceptional comfort. Its distinctive curved profile, teak frame with intricate rope detailing, and Sunbrella upholstery make it the perfect choice for those seeking both aesthetic appeal and durability in their outdoor living spaces.



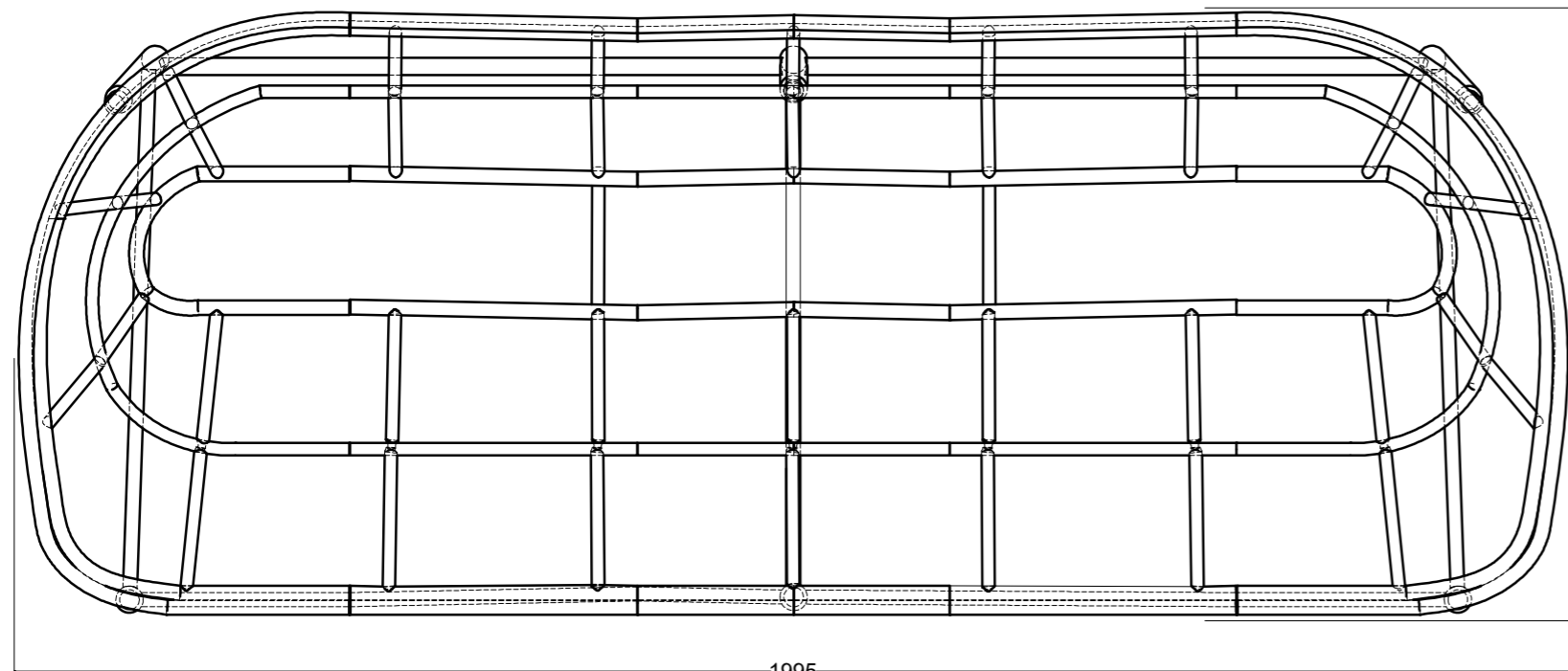
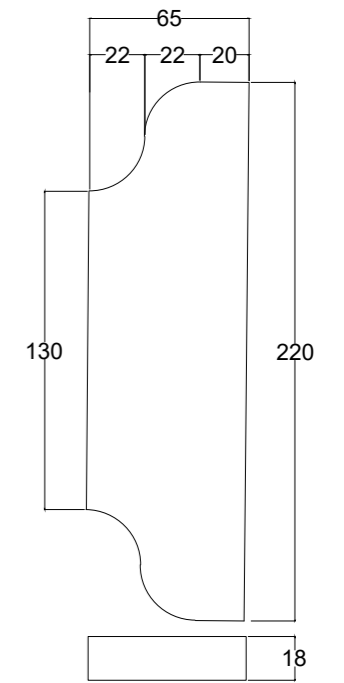


FRONT VIEW

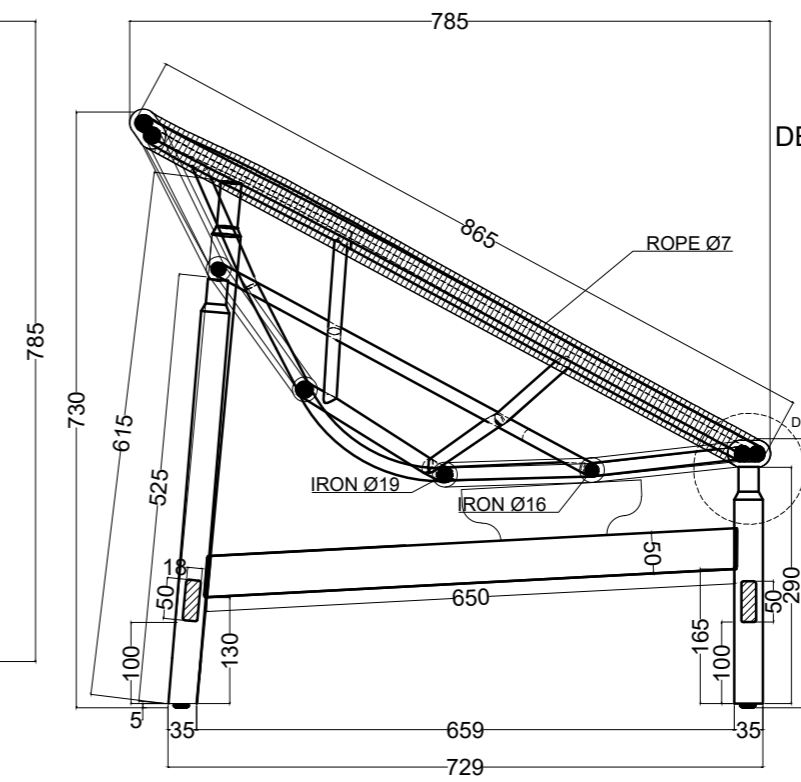


SIDE VIEW

DETAIL SUPPORT

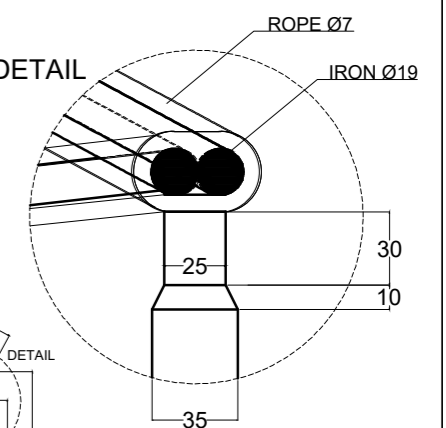


TOP VIEW

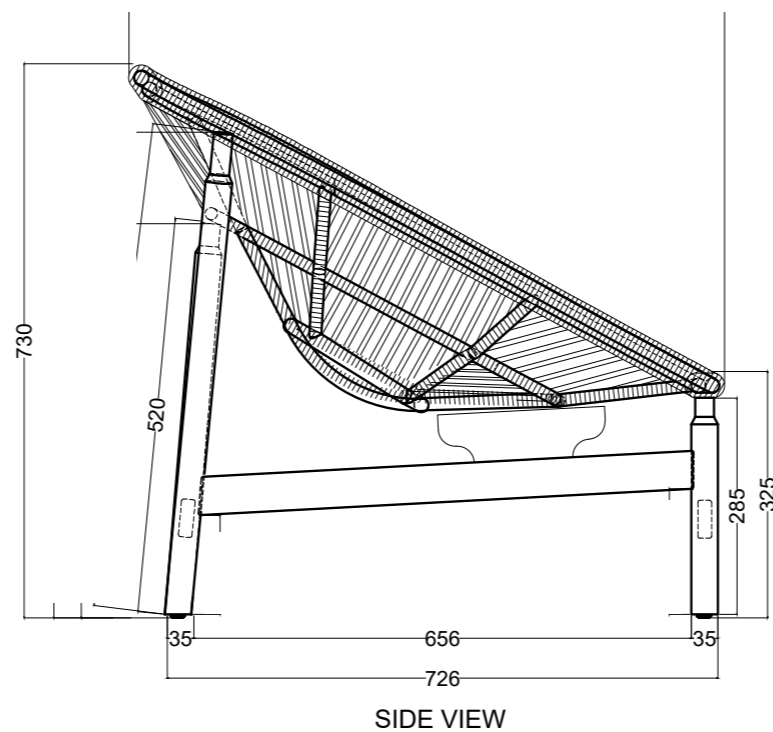


SIDE SECTION VIEW

DETAIL



MATERA LOUNGE CHAIR



CODE:
FSF301-CL-SH

SIZE:
200W x 79Dx 73H

SEAT HEIGHT:
40

COLOURS:

